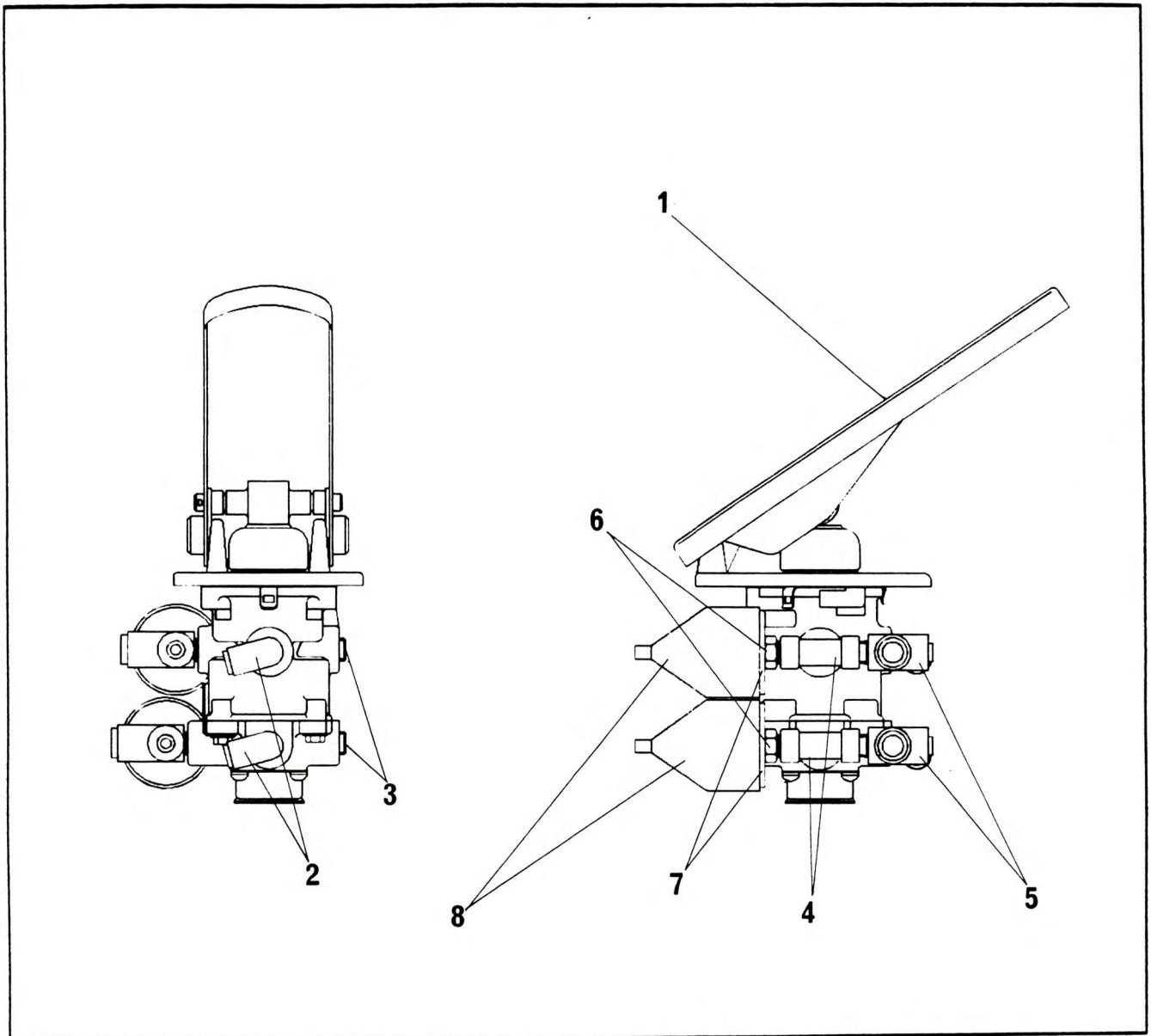


FOOTBRAKE CONTROL VALVE ASSEMBLY



NO.	PART NO.	QTY.	DESCRIPTION	NO.	PART NO.	QTY.	DESCRIPTION
1 +	8869645	1	Footvalve				
2	7-443-991027	2	Fixed Elbow Adaptor To Delivery Port Circ 1 & Circ 2				
3	13052	4	Plug $\frac{3}{8}$ " NPT Dry To Delivery Port 1 & 2 Rear & Supply 1 & 2 LHS				
4	7-888-000089	2	Tee - To Supply Ports 1 & 2 RHS				
5	7-443-990979	2	Special T Adaptor				
6	7-445-060450	2	Reducer				
7	8866089	2	Switch Low Pressure Warning				
8	8353716	2	Boot (S.L.S.)				

+ See further breakdown in this group

6-188-990207
Issue No. 03